

## Connection



0 374 05 on copper bar    0 374 80    0 330 74

"Standard" distribution

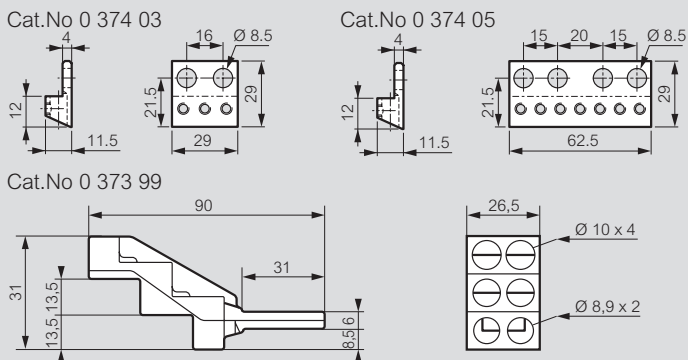
Pack	Cat. Nos	Connectors
10	0 374 03	<b>With 3 outgoing terminals 200 A</b> Fits onto flat copper bars and distribution block Cat.No 0 374 00 (p. 202) Capacity: - 1 x Ø 5.3 mm outgoing terminal for 1.5 to 6 mm <sup>2</sup> connection - 2 x Ø 7.5 mm outgoing terminals for 6 to 16 mm <sup>2</sup> connection
4	0 373 99	<b>With 6 outgoing terminals 250 A</b> Fits onto C section aluminium bars with M10 hammer head bolt Cat.No 0 373 59 or onto flat copper bars Capacity: - 4 x 6 to 35 mm <sup>2</sup> - 2 x 6 to 25 mm <sup>2</sup>
5	0 374 05	<b>With 7 outgoing terminals 400 A</b> Fits onto flat copper bars Capacity: - 4 x Ø 5.3 mm outgoing terminals for 1.5 to 6 mm <sup>2</sup> connection - 3 x Ø 7.5 mm outgoing terminals for 6 to 16 mm <sup>2</sup> connection

Pack	Cat. Nos	Aluminium/copper distribution boxes up to 300 mm <sup>2</sup>
5	0 374 80	Adapt the cross-section of the incoming or outgoing cable in order to connect a device IP 2X box, self-extinguishing transparent cover Universal fixing on rail or on plate Reversible sealable cover with area for label Operational voltage: U <sub>e</sub> = 690 V~ according to EN 60947-1/IEC 60664-1 • Aluminium connection Conform to standard NFC 63-061 class B • Copper connection Conform to standard EN 60947-7-1 Supplied with copper coupling strip Aluminium/copper 120 mm <sup>2</sup> distribution box 300 A max. Incoming: 16 to 120 mm <sup>2</sup> Aluminium or 16 to 120 mm <sup>2</sup> copper Outgoing: 16 to 70 mm <sup>2</sup> copper
4	0 374 81	Aluminium/copper 300 mm <sup>2</sup> distribution box 540 A max. Incoming: 70 to 300 mm <sup>2</sup> Aluminium or 70 to 185 mm <sup>2</sup> copper Outgoing: 70 to 150 mm <sup>2</sup> copper

Pack	Cat. Nos	Junction boxes IP 30 - IK 07
1	0 330 44	For copper cables 4 connections per pole Reversible stirrup for zero clamping Fitted with 4 or 5 junction blocks mounted on an insulated strip with a sheet steel cover Knock-out entries for conduits Ø 9 and 21 mm Sealable cover screws RAL 7035
1	0 330 54	4   35   125
1	0 330 74	4   70   192
1	0 330 84	4   150   309
1	0 330 84	4   240   415

## Connection

### Connectors

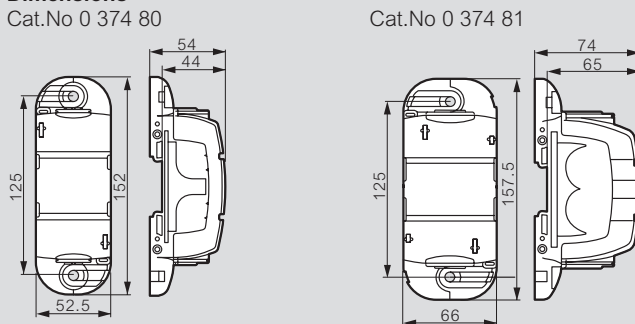


### Aluminium/copper distribution boxes

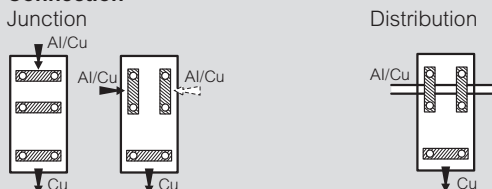
#### Technical characteristics

	Cat.No 0 374 80	Cat.No 0 374 81
Impulse voltage (U <sub>imp</sub> )	10 kV	12 kV
Short-circuit current I <sub>sc</sub> for 1 second	14.5 kA	22.2 kA
Tightening torque	14 Nm	30 Nm

#### Dimensions

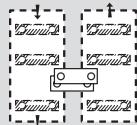


#### Connection

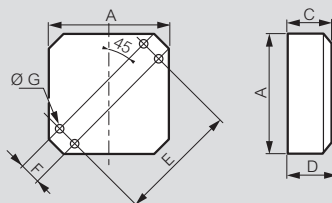


#### Connecting in series

This bridging is made with 2 copper bars (supplied with each product) and accept max. rating of incoming cable for tap-off between 2 distributions boards



### Junction boxes



Cat.Nos	A (mm)	C (mm)	D (mm)	E (mm)	F (mm)	G (mm)
0 330 44	236	75	89	264	40	6
0 330 54	276	84	99	314	40	7
0 330 74	319	103	118	361	50	7
0 330 84	510	129	144	613	65	9